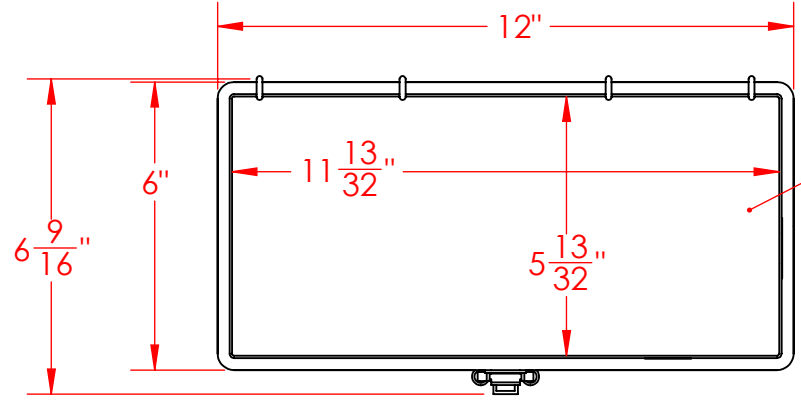


8 7 6 5 4 3 2 1

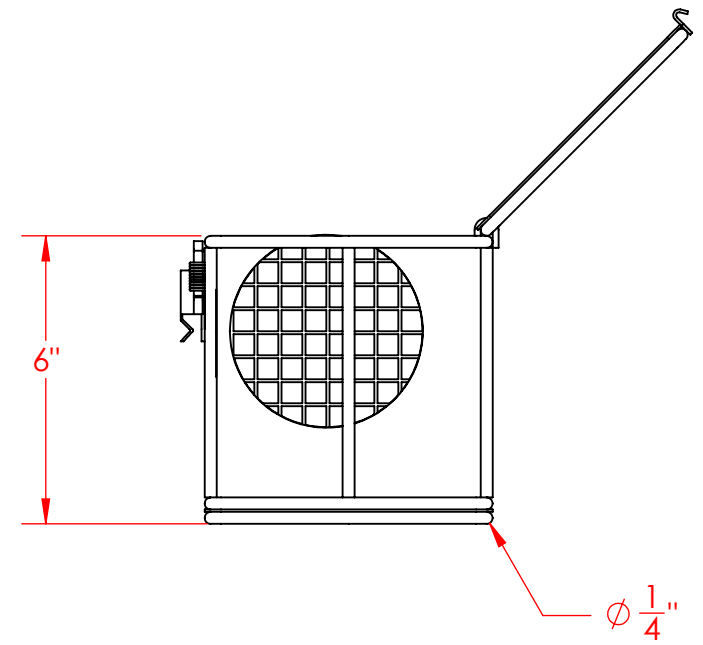
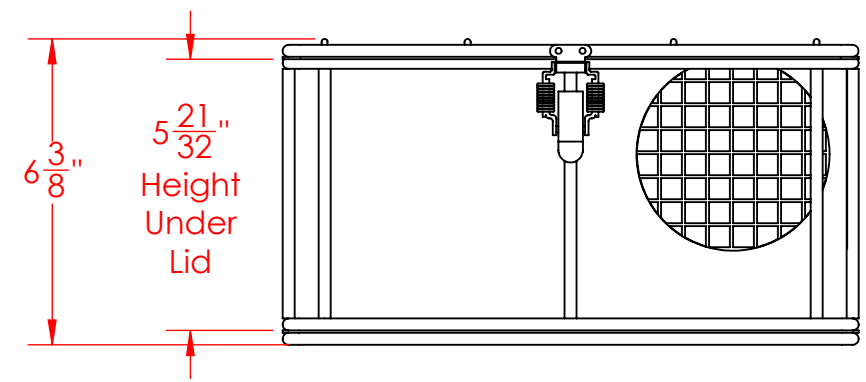
D



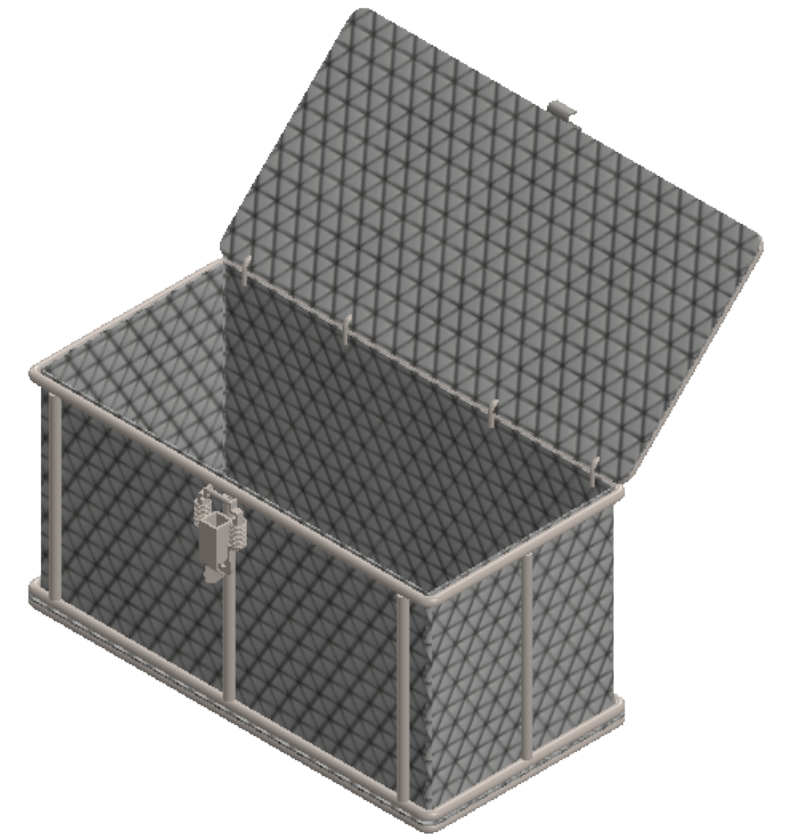
Lid Hidden in this View for Clarity



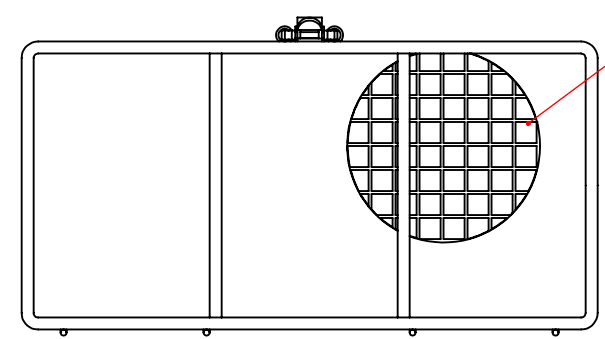
C



Ø 1/4"



B



Lined Bottom, Sides, and Lid with 2 Mesh x .063" Welded Wire (.437" Openings, 76% Open Area)

A

UNLESS OTHERWISE SPECIFIED:

DIMENSIONS ARE IN INCHES  
TOLERANCES:  
FRACTIONAL ± 1/16"  
ANGULAR: ± 5 DEG.  
TWO PLACE DECIMAL ±0.03  
THREE PLACE DECIMAL ±0.015

EST WGT  
4.2 lbs.

MATERIAL  
304 Stainless Steel

FINISH  
Natural

DO NOT SCALE DRAWING

**Rectangular Wire Mesh Basket:**  
12Lx6Wx6H, 304 SS, 1/4 Rod Frame,  
Hinged Lid with Latch, Mesh: 2 x .063

**PROPRIETARY AND CONFIDENTIAL**

THE INFORMATION CONTAINED IN THIS DRAWING IS THE SOLE PROPERTY OF THREE M TOOL. ANY REPRODUCTION IN PART OR AS A WHOLE WITHOUT THE WRITTEN PERMISSION OF THREE M TOOL IS PROHIBITED.

SIZE **B** DWG. NO. TMT-120060060-P02S

SCALE: 1:4

SHEET 1 OF 1

8 7 6 5 4 3 2 1